

I-800-BUY-RACK

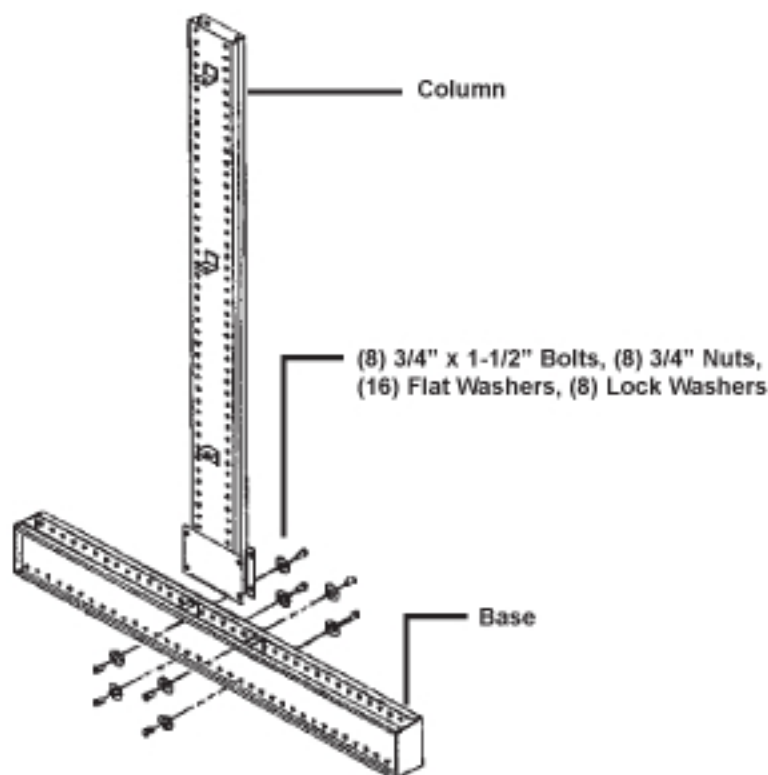
Shelving • Rack • Workbenches
Carts • Bins & Boxes

Tel: (800)289-7225

Installation Instructions for Cantilever Rack

STEP 1:

Assemble column to base with Nuts and Bolts provided.



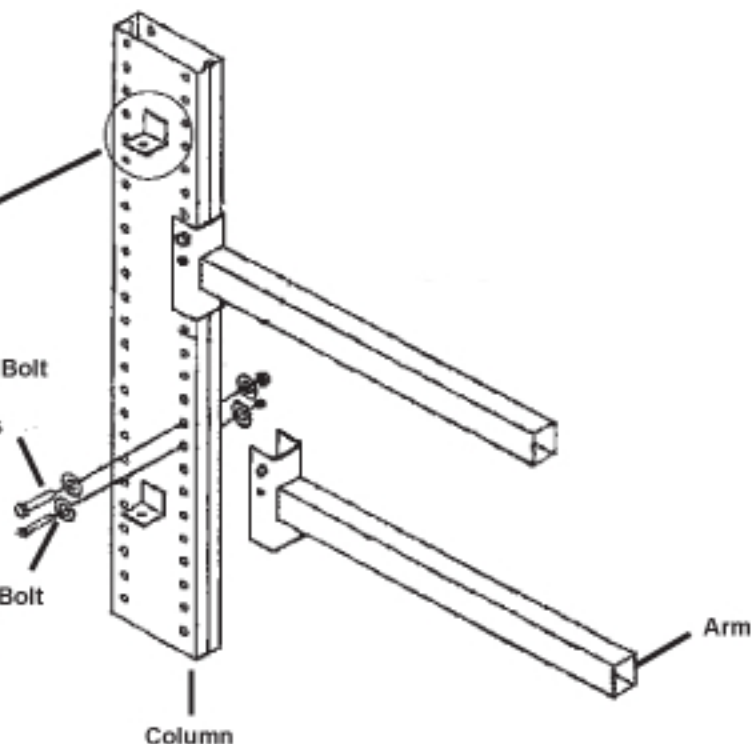
STEP 2:

Place arms on columns at locations determined by customer (some 3" increment vertically). Place 3/4" bolt set through arm and column. Seat arm as shown above then tighten. Insert 1/2" bolt set through bottom hole and tighten.

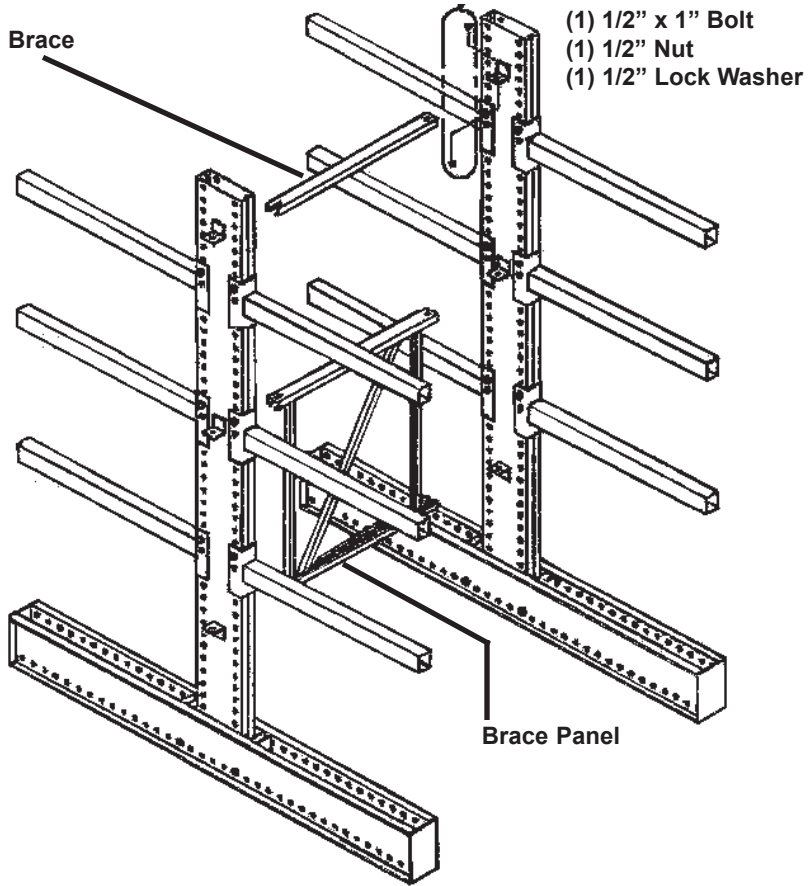


(1) 3/4" x 5-1/2" Bolt
(1) 3/4" Nut
(2) Flat Washers

(1) 1/2" x 5-1/2" Bolt
(1) 1/2" Nut
(2) Flat Washers



Horizontal Brace

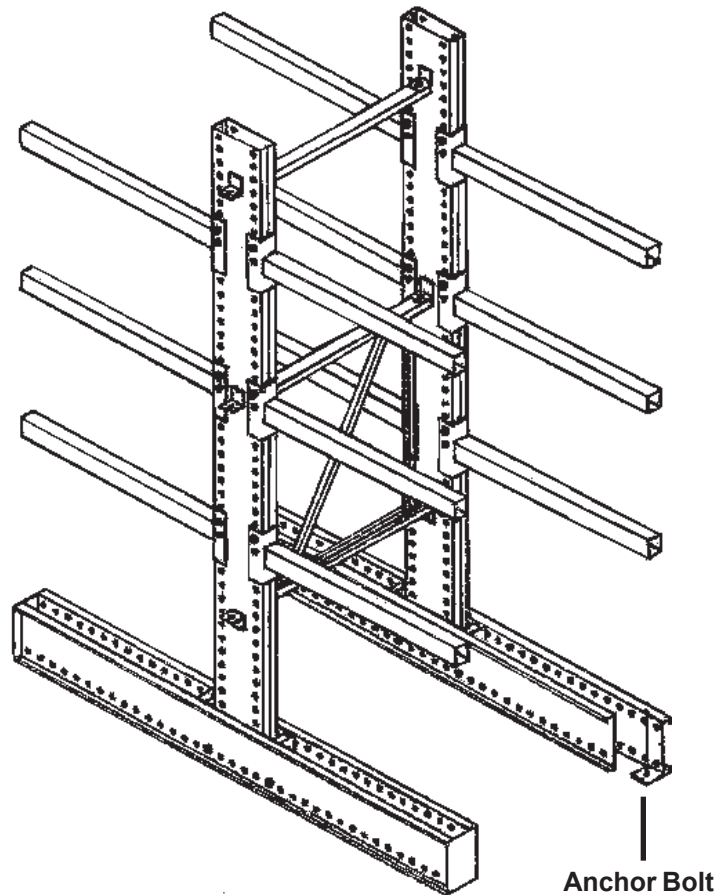


STEP 3:

After in position bolt brace panel(s) and horizontal brace(s) (if required) to columns and tighten bolts.

STEP 4:

When up and in position, shim columns so they are plumb and anchor. Fill rest of row by adding assembled columns and brace panels as required.



NEED HELP?

Our Customer Service Representatives are here to serve you. If you encounter missing parts or any problems putting your product together, please call us toll free at (800) 289-7225. Thank you.